

■ Datasheet: HRC-fuse-switch-disconnector ARROW BLUE size 00, 3-pole, 160A



■ SCHRACK-INFO

- Integrated infringe-protection side and top
- Contactless fuse take out
- Closing part sealable and lockable
- Park position for closing part
- Patented voltage measuring slots, tool-bound open, without tools close

■ Technical datas

Ratings	
Standard	IEC/DIN/EN 60947-3 / VDE 0660-107
For LV HRC fuse-links acc. to DIN VDE 0636-2	Size 000/00
Rated operational voltage U_e	690 V - AC 440 V - DC
Rated operational current ¹⁾ I_e	160 A
Conv. free air thermal current with fuse-links ¹⁾ I_{th}	160 A
Conv. free air thermal current with solid-links ¹⁾ I_{th}	210 A
Rated frequency f	40 - 60 Hz
Rated insulation voltage U_i	800 A - AC
Total power loss at I_{th} (without fuse-links) P_v	9 W
Rated impulse withstand voltage U_{imp}	8 kV

Utilization category ²⁾	AC-23B (400V/160A) ^{2a)}
	AC-22B (500V/160A) ^{2a)}
	AC-21B (690V/160A) ^{2a)}
	DC-22B (250V/160A) ^{2a)}
	DC-21B (440V/160A) ^{2a)}
Rated conditional short-circuit current ^{2) 3)}	120 kA (500V) ^{2a)}
	100 (690V) ^{2a)}
Rated short-time withstand current I_{cw}	7 kA (1s)
Max. permis. power loss per fuse-link P_a	12 W

Cable terminal		
Flat terminal	Bolt diameter	M8
	Tightening torque M_a	12-15 Nm
Clip terminal	Clamping cross-section	conductor round 1,5 - 70 mm ² copper
		busbar 6 x 9 x 0,8
	Tightening torque M_a	2,6 Nm

Degree of protection		
Front side	Operating condition	IP20
	With clamp- and lateral cover	IP20XC
	switching element open	IP10

Ambient temperature ⁴⁾ T_{amb}	-25 bis +55 °C
Rated operating mode	Uninterrupted duty
Actuation	dependent manual operation
Mounting position	vertical / horizontal
Altitude	up to 2000 m
Pollution degree	3
Overvoltage category	III


¹⁾ In case of mounting of several units in low voltage switchgearcombinations, please consider rated diversity factors acc. to EN 61439-1.

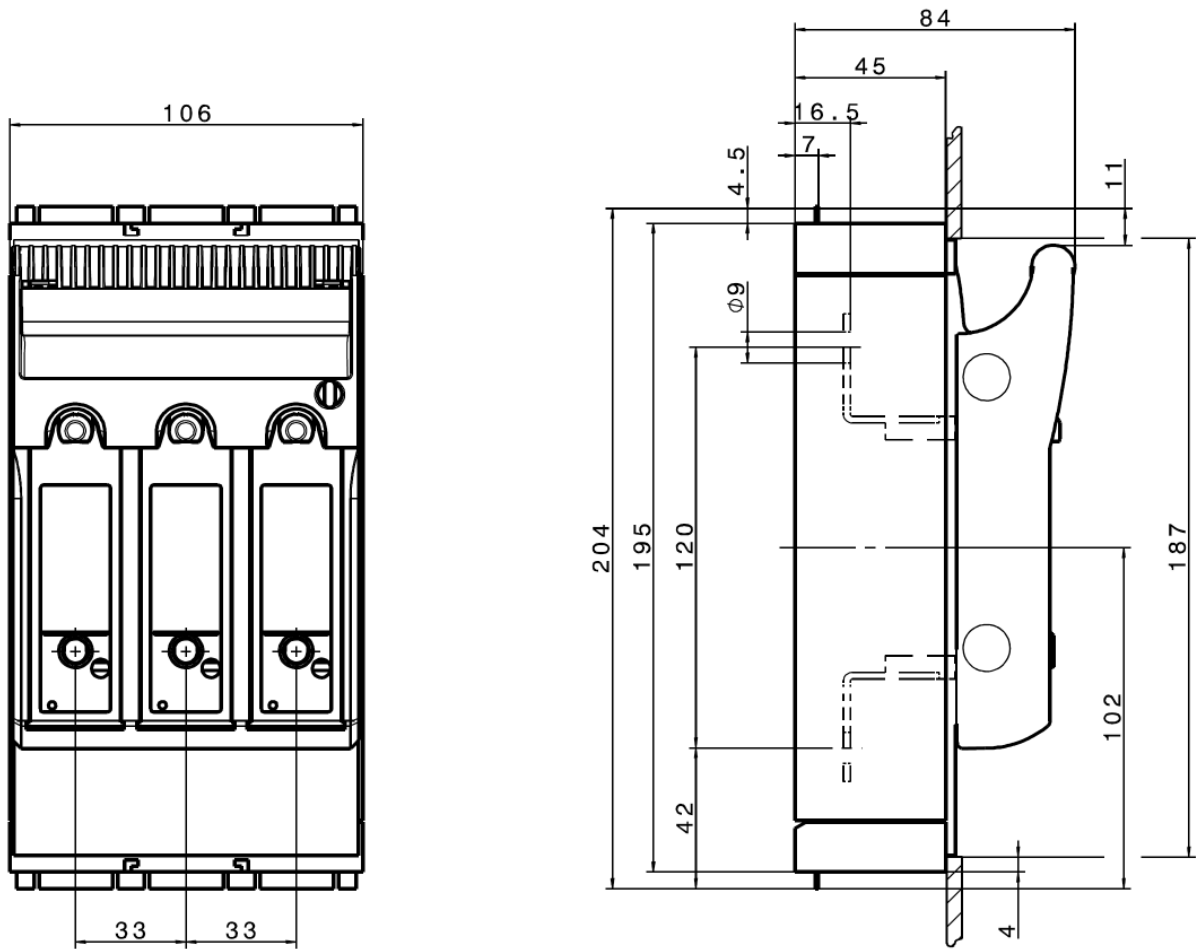
²⁾ ..It must be considered a minimum distance to earthed, conductive parts:

^{2a)} Lateral: 20mm / Above: 50mm / Behind: 0mm

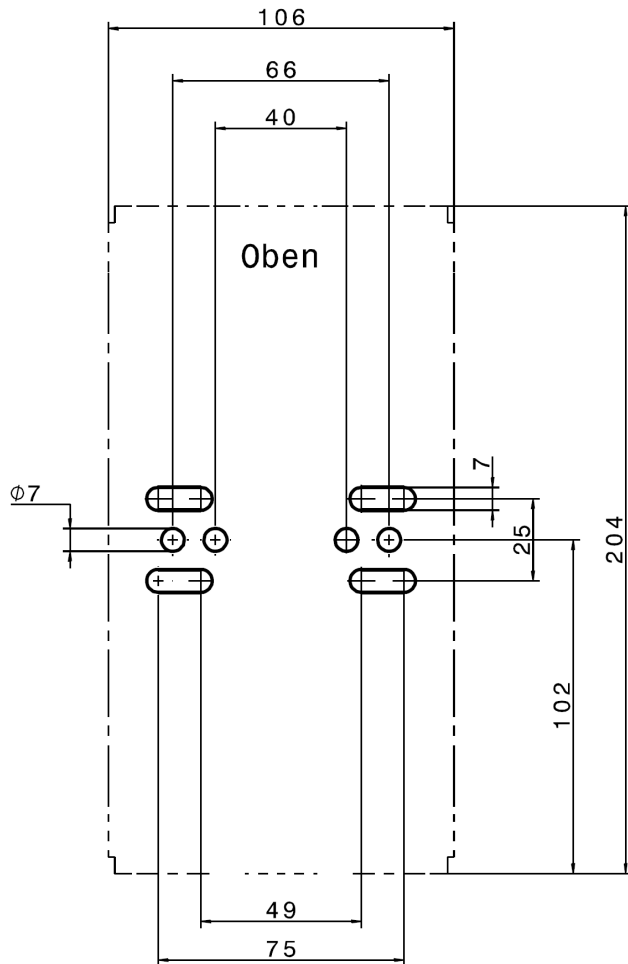
³⁾ Type tested with LV-HRC-fuse-links characteristic gG.

⁴⁾ 35 °C Normal temperature, at 55 °C with reduced operating current

 Dimensions



Befestigungsmaße:



Articles

Description	order no.
HRC-fuse-switch-disconnector ARROW BLUE size 00, 3-pole, connection clamp	ISA05221-A
HRC-fuse-switch-disconnector ARROW BLUE size 00, 3-pole, M8	ISA05222-A